

evonos



evolight EXAMINATION LIGHTS AND SMALL SURGICAL LIGHTS

evoLight

EXAMINATION LIGHTS

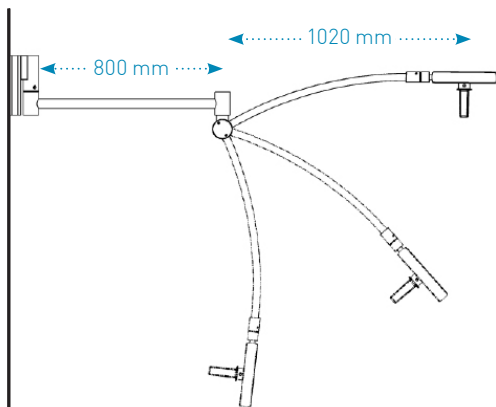
SMALL SURGICAL LIGHT

Description	evoLight 300	evoLight 350	evoLight 450
Light technology	Dual reflector technology	Dual reflector technology	Dual reflector technology
Light intensity	80.000 lux	100.000 lux	140.000 lux
Electronic dimming	50-100 %	45-100 %	35-100 %
Focusable light field diameter at 1m distance (d10)	170-220 mm	170 mm	170-220 mm
Color temperature	4900 K	4900 K	4900 K
Working distance below the light head	70-150 cm	70-150 cm	70-150 cm
Service life of the LEDs	60.000 h	60.000 h	60.000 h
Color rendering index Ra	≥96	≥96	≥96
Red rendering index R9	≥96	≥96	≥96
Number of LEDs	18	18	40
Power consumption	14 W	14 W	32 W
Increase of temperature at head height	<1° C	<1° C	<1° C
Light head weight	3 kg	3 kg	4,5 kg
Light head diameter	272 mm	272 mm	375 mm
IP protection class	IP-42	IP-42	IP-42
Control panel	On the light head	On the light head	On the light head
Electronic field adjustment	Yes	No	Yes

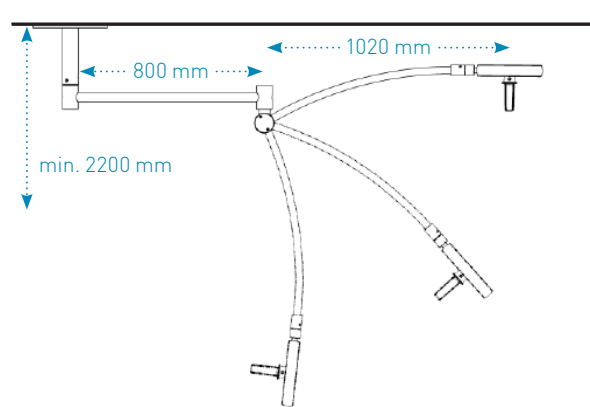
All values conform to IEC 60601-2-41. The values are subject to a general industry tolerance of ± 10%.

**All lights are available as the following versions:
ceiling-mounted / wall-mounted / mobile stand / mobile stand with battery**

Wall mounting



Ceiling mounting



 **MADE IN GERMANY**

evonos GmbH & Co. KG · Stockacher Str. 134 · 78532 Tuttlingen · Germany
Phone: +49 7461 96 57 74 0 · Fax: +49 7461 96 57 74 89 · Mail: info@evonos.de

93-910040 08/2023 © Copyright by evonos GmbH & Co. KG · Errors, misprints and changes reserved.

evonos